

Uncomplicated and Reliable UHPLC Connections for PEEKsil®



PEEKTite™ Ti-Lok EXP UHPLC Fittings

- Easy to install finger tight nut and ferrule system for PEEKsil®
- For HPLC and UHPLC up to 18,000 psi (1,240 bar)
- Reusable in 6-32, 6-40, and 10-32 port configurations
- Zero dead volume fitting

PEEKtite™ Ti-Lok EXP UHPLC Fittings

Uncomplicated and Reliable UHPLC Connections for PEEKsil®

PEEKtite™ Ti-Lok EXP UHPLC fittings, is a finger tight nut and ferrule system designed specifically for use with PEEKsil® tubing, for both HPLC and UHPLC applications up to 18,000 psi (1,240 bar).

Installation is uncomplicated using the PEEKtite FingerTite tool, as fittings can be loosened and retightened easily using finger force – no special training or wrenches required.

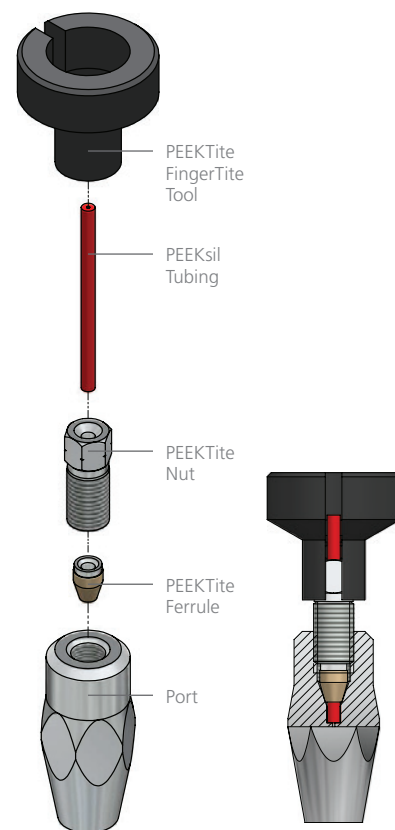
Reusable PEEKtite nuts enable custom configurations with any length of PEEKsil tubing – not limited by preconfigured and pre-swaged alternatives.

Features and Benefits

- Designed and validated by PEEKsil manufacturer for use with PEEKsil tubing to maximize the performance of your UHPLC system delivering inert flow path and ultra high pressure performance up to 18,000 psi (1,240 bar).
- Compact in size allowing for use in port configurations where space is a premium (e.g. injection valve).
- Easy to install and leak-free, using the included PEEKtite FingerTite tool.
- Fittings can be loosened and retightened for repeat use with any length of PEEKsil tubing.
- Zero dead volume for optimal peak shapes.

Configuration

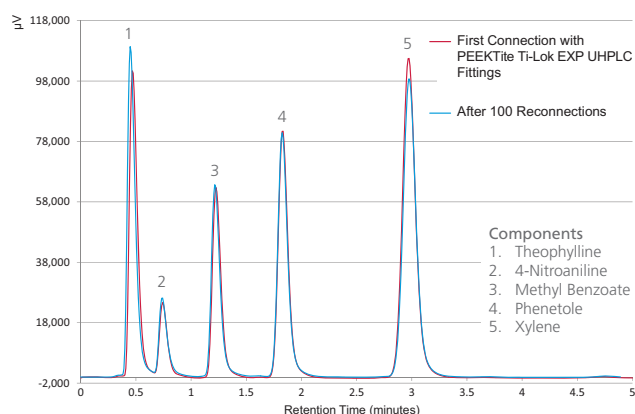
PEEKtite Ti-Lok EXP UHPLC fittings offer a fully integrated connection with PEEKsil and any port configuration. The design of the fitting connecting into the receiving port offers no interactions for zero dead volume. Optimal peak shapes are achieved without deterioration over repeated injections.



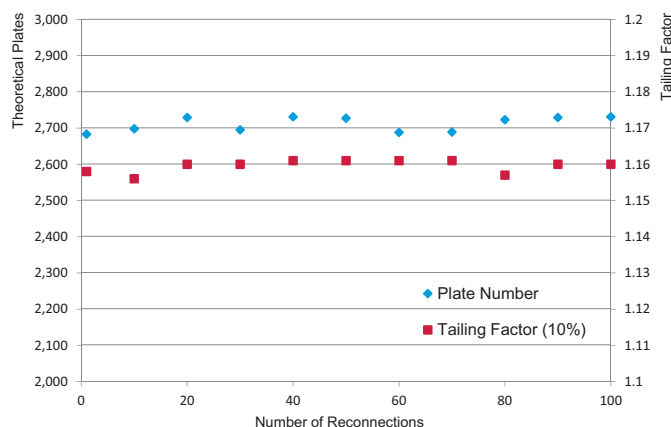
Tubing end is directly against the port for zero dead volume.

Reproducible Results

PEEKtite fittings produce optimal chromatographic results, even after 100 reconnections.



Conditions
 Column: ProteCol® C18G Column (2.1 mm ID x 50 mm) Detection: 254 nm
 Mobile Phase: 60 % acetonitrile, 40 % water Injection Volume: 0.1 µL
 Flow Rate: 0.3 mL/min Column Temperature: Ambient

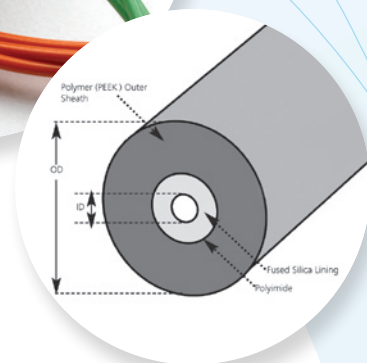


Complete your Inert Flow Path with PEEKsil

PEEKsil is the perfect partner for PEEKTite fittings, for zero dead volume and optimal peak shapes.

PEEKsil is constructed from a core of smooth precision bore fused silica tube bonded to a PEEK outer sheath. It is manufactured to exacting tolerances of bore size and concentricity, for reproducible flow rates and reliable connections.

- Inert smooth flow path.
- Flexible and robust.
- Lower sample carryover.
- Maximize UHPLC performance.
- Color coded for easy identification of internal diameter.
- Capable of withstanding ultra high pressures.
- Compatible with most organic solvents (unlike PEEK).



PEEKsil tubing cross-section

PEEKTite Configuration with PEEKsil

PEEKTite Ti-Lok EXP UHPLC fittings starter kits are available as a 2 pack or 10 pack.

Each kit includes: 2 or 10 x PEEKTite nuts, 2 or 10 x PEEKTite ferrules, and 1 x PEEKTite FingerTite tool.

Fittings are designed for use with:

- 1/32 " (0.79 mm) OD PEEKsil tubing in 6-32 and 6-40 port configurations.
- 1/16 " (1.6 mm) OD PEEKsil tubing in 10-32 port configurations.

PEEKsil Specifications

ID	OD	Tubing Lengths	Maximum Temperature
25 µm to 530 µm	1/32 ", 1/16 " and 0.36 mm	50, 100, 150, 250, 500 mm. Custom lengths are also available on request	100 °C

PEEKsil ID Tolerances for 1/32 " and 1/16 " Tubing

ID	25 µm ± 1	50 µm ± 3	75 µm ± 3	100 µm ± 3	150 µm ± 5	175 µm ± 5	200 µm ± 5	300 µm ± 5	530 µm ± 10
Color Code	Orange	Beige (Natural)	Black	Red	Purple	Yellow	Blue	Grey	Bone White

Instrument Common Connection Lengths

Compatible with a range of systems, simply choose your PEEKTite and PEEKsil to suit your instrument.

ID	OD	Tubing Lengths
25 µm and 50 µm	1/32 " and 1/16 "	70, 150, 350, 550, 650, 750, 950 mm
75 µm	1/32 " and 1/16 "	70, 150, 250, 350, 550, 750, 950 mm
100 µm and 150 µm	1/32 " and 1/16 "	70, 105, 150, 250, 350, 450, 550, 750 mm

PEEKsil is available in a variety of lengths and internal diameters catering for a wide range of system configurations and flow requirements.

Use PEEKTite fittings with PEEKsil to create an inert flow path and reliable connections at ultra high pressures.

PEEKtite™ Ti-Lok EXP UHPLC Fittings

Uncomplicated and Reliable UHPLC Connections for PEEKsil®

SGE Analytical Science (SGE) is a world renowned brand for components and consumables used in scientific analysis.

Primarily in the field of scientific glass engineering for liquid handling and separation science, since its beginnings in 1960, SGE has become the global market leader in niche areas such as autosampler syringes and GC inlet liners.

Completing the transition into Trajan after acquisition in 2013, SGE products make up a solid foundation of Trajan's portfolio and will continue to be created and supported by Trajan customer service and distribution networks worldwide.

For more information visit www.sge.com or contact techsupport@sge.com.



Approved Distribution Partner