

Connections | GC Deans' Switch SilFlow®

Improve Your GC Connectivity

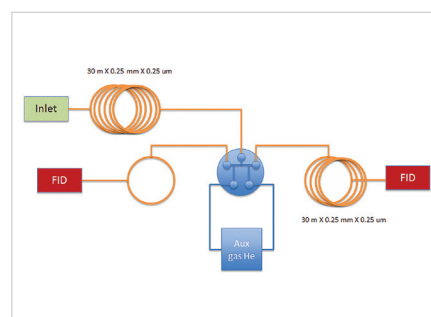
SGE's SilFlow® delivers a flexible chromatography solution using planar microchannel technology. SilFlow is an innovation in design and fabrication resulting in a highly efficient and reliable micro fluidic platform that improves your GC connectivity to enable maximum chromatography performance.

Features and Benefits

- Chemically inert.
- Low dead volume.
- Superb operational stability.
- Easy to install.
- Leak free.

Recommended Applications

- Heart cutting.
- Deans' switching.
- Column switching.
- Multidimensional GC.



Configuration for heart cutting using Deans' Switch SilFlow™ to dual FID.

Product Specifications

Description	Column 1	Column 2	Detector	SW1	SW2	Pack Size
GC Kit	0.25/0.32 mm ID	0.25/0.32 mm ID	0.25/0.32 mm ID	1.1 mm OD	1.1 mm OD	Kit
GC MCD	0.25/0.32 mm ID	0.25/0.32 mm ID	0.25/0.32 mm ID	1.1 mm OD	1.1 mm OD	1

SilFlow Replacement Parts

Description	Tubing Dimensions	Pack Size
SilFlow Ferrules 1.1 mm ID	For use with tubing of OD 1.07 mm	5
SilFlow Ferrules 0.35 mm ID	For use with tubing of OD 0.32 mm	10
SilFlow Ferrules 0.4 mm ID	For use with tubing of OD 0.36 mm	10
SilFlow Ferrules 0.5 mm ID	For use with tubing of OD 0.45 mm	10
SilFlow Ferrules 0.7 mm ID	For use with tubing of OD 0.68 mm	10
SilFlow Ferrules 0.8 mm ID	For use with tubing of OD 0.79 mm	10
SilFlow Nuts	-	10
SilFlow Blanking Pins	-	5
SilTite FingerTite Tool	-	1

For more information about this product visit www.sge.com or contact techsupport@sge.com.