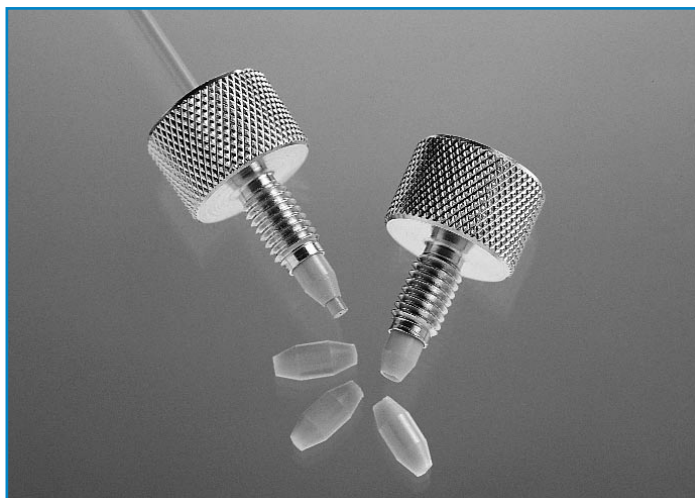


EasyLOK™

HPLC finger-tight fittings

SGE's new EasyLOK™ finger-tight fittings were designed with ease of use in mind. They provide perfect leak free HPLC connections with their unique double ended ferrule and finger-tightened nut.



WHAT ARE EasyLOK FITTINGS?:

The EasyLOK fitting is composed of a knurled stainless steel nut and a double ended PEEK ferrule. The PEEK ferrule simply slides over any 1/16" OD tubing to its required position while the nut is tightened over it by hand. Unlike stainless steel the PEEK ferrule will not crush the tubing and can be easily readjusted for quick column changes.

PRODUCT DATA

UNIQUE ADVANTAGES:

- **TWO PIECE DESIGN**

Once the PEEK ferrules wear they can be replaced inexpensively without the need to purchase an entire fitting, making EasyLOK nuts extremely cost effective (see **figure 1**).

- **KNURLED NUT**

EasyLOK fittings are purposely designed with a large knurled nut (see **figure 1**) instead of a hex nut for comfortable finger-tightening, without the need for spanners, which often overtighten the nut and eventually cause leaks.

- **DOUBLE ENDED FERRULE**

The double ended ferrules seal in two places (see **figure 2**) to help prevent leaks. This ferrule design also gives a better pressure distribution on the ferrule itself, making it less prone to distortion for greater durability.

- **HOLLOW STAINLESS STEEL NUT**

This allows connection to even the shortest or most bent tubing especially in hard to reach places (see **figure 2**).

Figure 1: EasyLOK fitting features

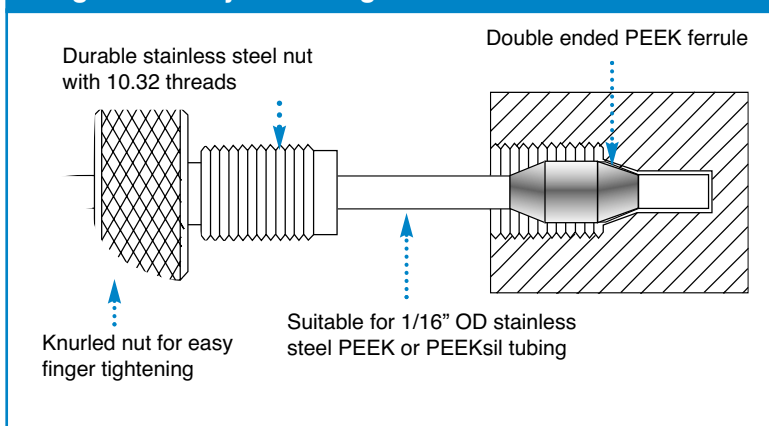
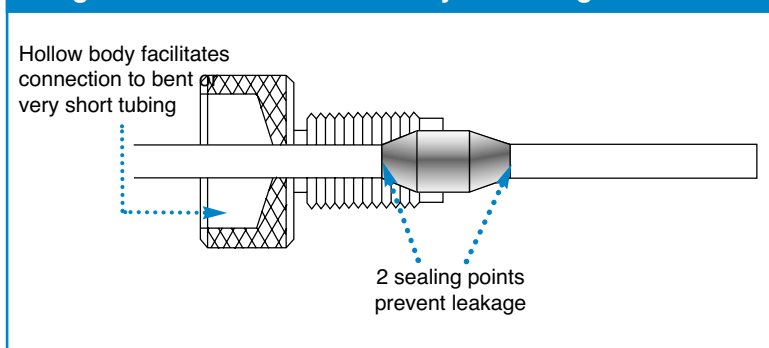


Figure 2: Cross section of EasyLOK fitting



EasyLOK™

HPLC finger-tight fittings

SPECIFICATIONS

Materials:	PEEK double ended ferrules Stainless steel knurled nut
Pressure Rating:	5,000 psi
Temperature Rating:	150°C
Thread Type:	10 - 32
Solvent Compatibility:	All solvents except concentrated H ₂ SO ₄ & HNO ₃

COLUMN CONNECTIONS:

- Compatible with any standard female HPLC fitting including Swagelok, Parker, Waters, Altex, Valco, Whatman.
- Suitable for any 1/16" OD stainless steel or PEEK tubing
- Recommended for use with SGE Glass Lined (GLT™) HPLC columns and PEEKsil™ tubing

ORDERING INFORMATION

Part No.	Description	Pack Size
206102	EasyLOK finger tight fitting	2
206160	PEEK double end ferrules for EasyLOK fittings	10

Mentioned trademarks are registered trademarks of their respective owners.
Specifications are subject to change without notice.

For more information on SGE's unique Glass Lined (GLT™) HPLC columns or PEEKsil™ tubing see data sheets PD-0107-A and PD-0106-H respectively.



Publication No. PD-0116-H Rev:01 02/01

SGE International Pty. Ltd.

Tel: +61 (0) 3 9837 4200
Fax: +61 (0) 3 9874 5672
email: support@sge.com.au

SGE Incorporated (USA)

Toll Free: 800 945 6154
Fax: +1 512 836 9159
email: usa@sge.com.au

SGE (France) Sarl

Tel: +33 (0) 1 6929 8090
Fax: +33 (0) 1 6929 0925
email: france@sge.com.au

SGE Deutschland GmbH

Tel: +49 (0) 6151 860486
Fax: +49 (0) 6151 860489
email: germany@sge.com.au

SGE Japan Inc.

Tel: +81 (45) 222 2885
Fax: +81 (45) 222 2887
email: sge@sgejpn.co.jp

SGE Australia Pty. Ltd.

Toll Free: 1800 800 167
Fax: (03) 9874 5672
email: sales@sge.com.au

SGE Europe Ltd. (UK)

Tel: +44 (0) 1908 568 844
Fax: +44 (0) 1908 566 790
email: uk@sge.com.au

SGE (Italia) Srl.

Tel: +39 06 4429 0206
Fax: +39 06 4429 0724
email: sge.italia@tin.it

SGE China Service Centre

Tel: +86 (10) 6588 8666
Fax: +86 (10) 6588 6577
email: sge@bj.col.com.cn

SGE India

Tel: +91 (022) 471 5896
Fax: +91 (022) 471 6592
email: sgeindia@bom4.vsnl.net.in